

The Hatch



Prefabricated Ceiling Hatch

This product has been designed for the new home, renovation and DIY markets. It is a purpose-built, easily installed, hassle-free solution which provides convenient access to all ceiling spaces. The installation time for this product is vastly shorter than that required to construct a conventional manhole. The finished result is neater, stronger and requires only a wipe with a damp cloth to retain its pristine appearance.

- **No assembly required**
- **Easily installed in minutes**
- **No redecorating required**
- **Attractive powder coat finish**
- **Prefinished hinged lid**
- **Strong yet unobtrusive**
- **Cost effective**

This product has a clear opening of 600 x 500mm, which complies with NZS 3604:1990 clause 12.3.1. See reverse for fitting instructions.

INSTALLATION

- 1 Trim opening to 635mm x 535mm.
- 2 Support ceiling lining on all sides of opening.
- 3 After trimming, delay installation until all trades and ceilings are finished.
- 4 For ease of installation, remove lid from frame by sliding pin back on the spring loaded hinge. (see diagram A)
- 5 Install "The Hatch" frame through all fixing points, while holding firmly to ceiling.
- 6 Replace lid by locating fixed hinge and depressing spring loaded hinge into holes at EITHER end of frame.
- 7 Position a batten at hinge end to prevent lid opening unnecessarily past vertical and causing damage. (see diagram B)

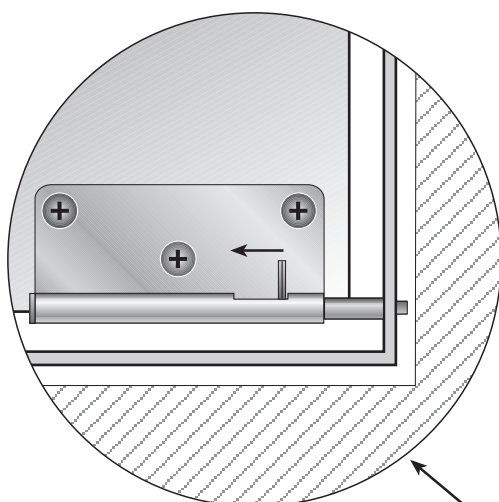
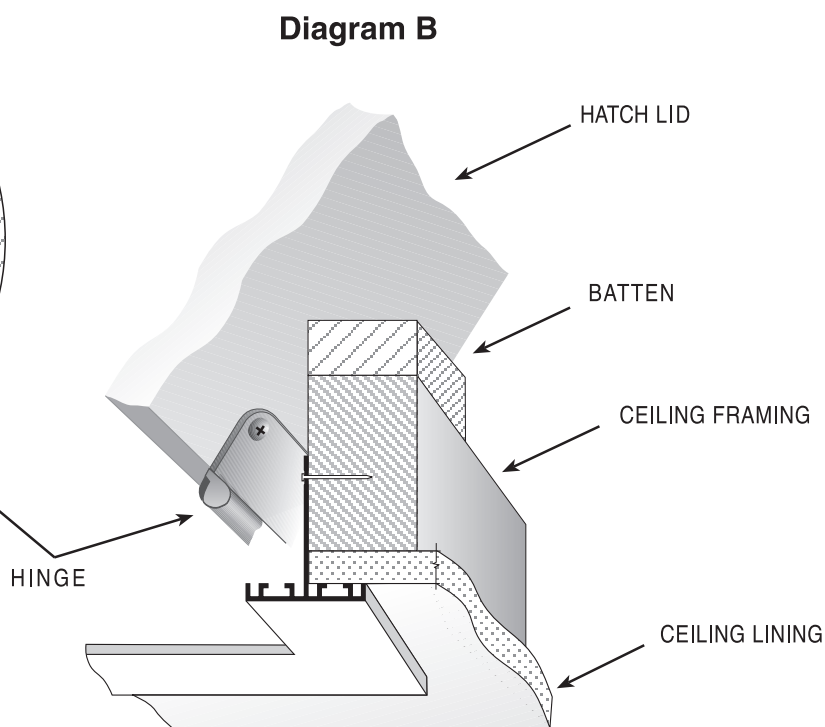


Diagram A



The Hatch

Proudly manufactured in New Zealand by:

PRODUCTION SYSTEMS LTD

Unit 13, 318 Beach Haven Rd, Birkdale, Auckland 0626. Ph:09 483 6373, Fax:09 483 6356.

www.ceilingaccesshatches.co.nz email:info@ceilingaccesshatches.co.nz