

# STEEL ACCESS HATCH



## Multi-Purpose Steel Hatch for Commercial, Residential and Industrial Buildings

Specify this quality steel access hatch with its one touch spring loaded operating mechanism.

**NEW  
PRODUCT**

We have added a  
Steel Access Hatch  
to our product range!



Spring loaded opening and closing mechanism

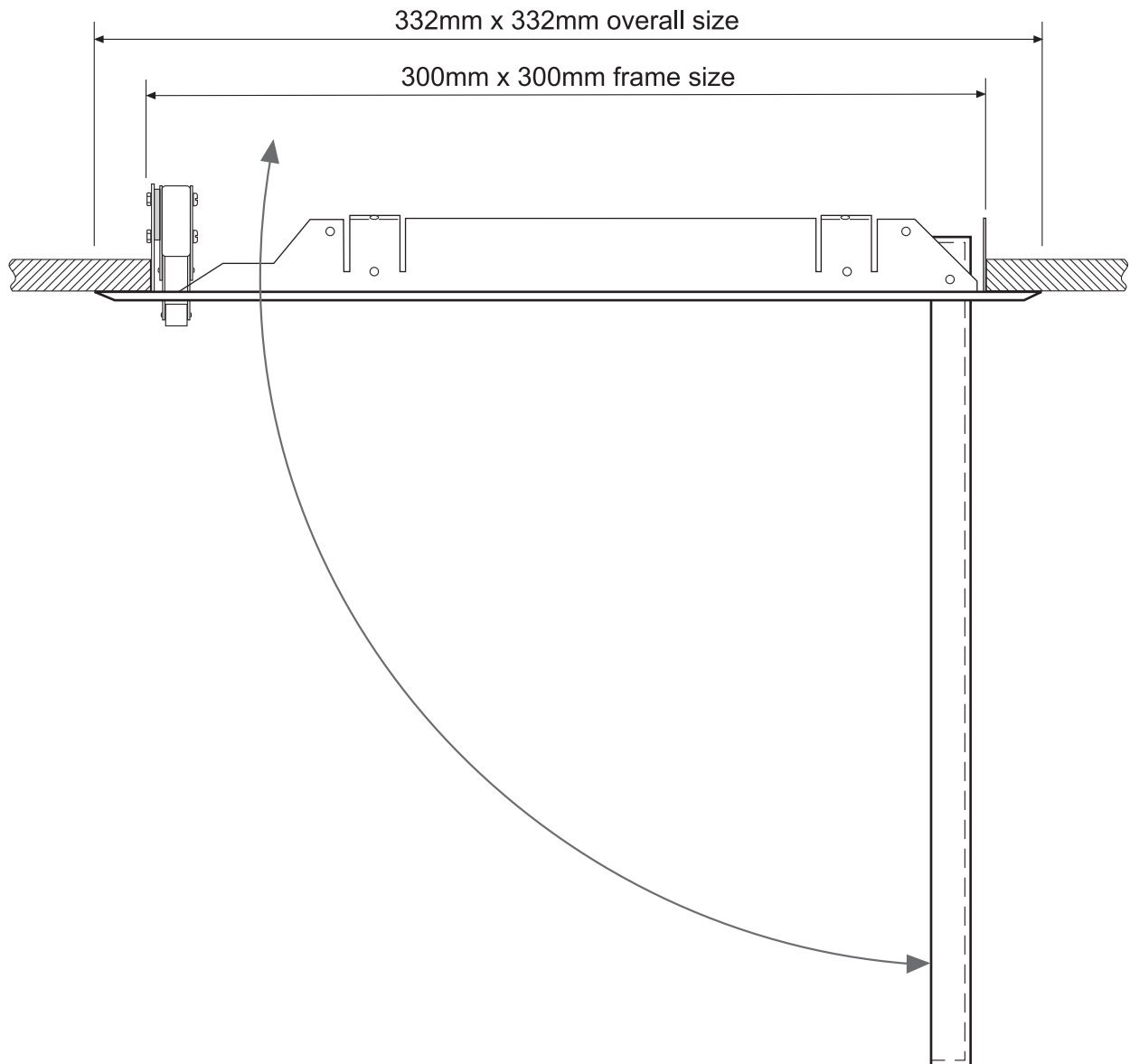


Pre-drilled tabs enable a variety of installation methods

- Easy to install in minutes
- Attractive and durable powder-coated finish
- Cost effective, requiring minimal trimming
- Compact and unobtrusive design
- Wall or ceiling mounted

# INSTALLATION INSTRUCTIONS

- Trim opening to 305mm x 305mm
- Fit steel access hatch into opening
- Fold steel tabs tightly over the surrounding material to support hatch
- Fix hatch with fasteners while holding it firmly to the ceiling or wall
- Close hatch



# STEEL ACCESS HATCH

Production Systems Ltd.

Unit 13 318 Beach Haven Road Birkdale Auckland 0626. Ph: 09 483 6373 Fax: 09 483 6356  
[www.ceilingaccesshatches.co.nz](http://www.ceilingaccesshatches.co.nz) [sales@ceilingaccesshatches.co.nz](mailto:sales@ceilingaccesshatches.co.nz)